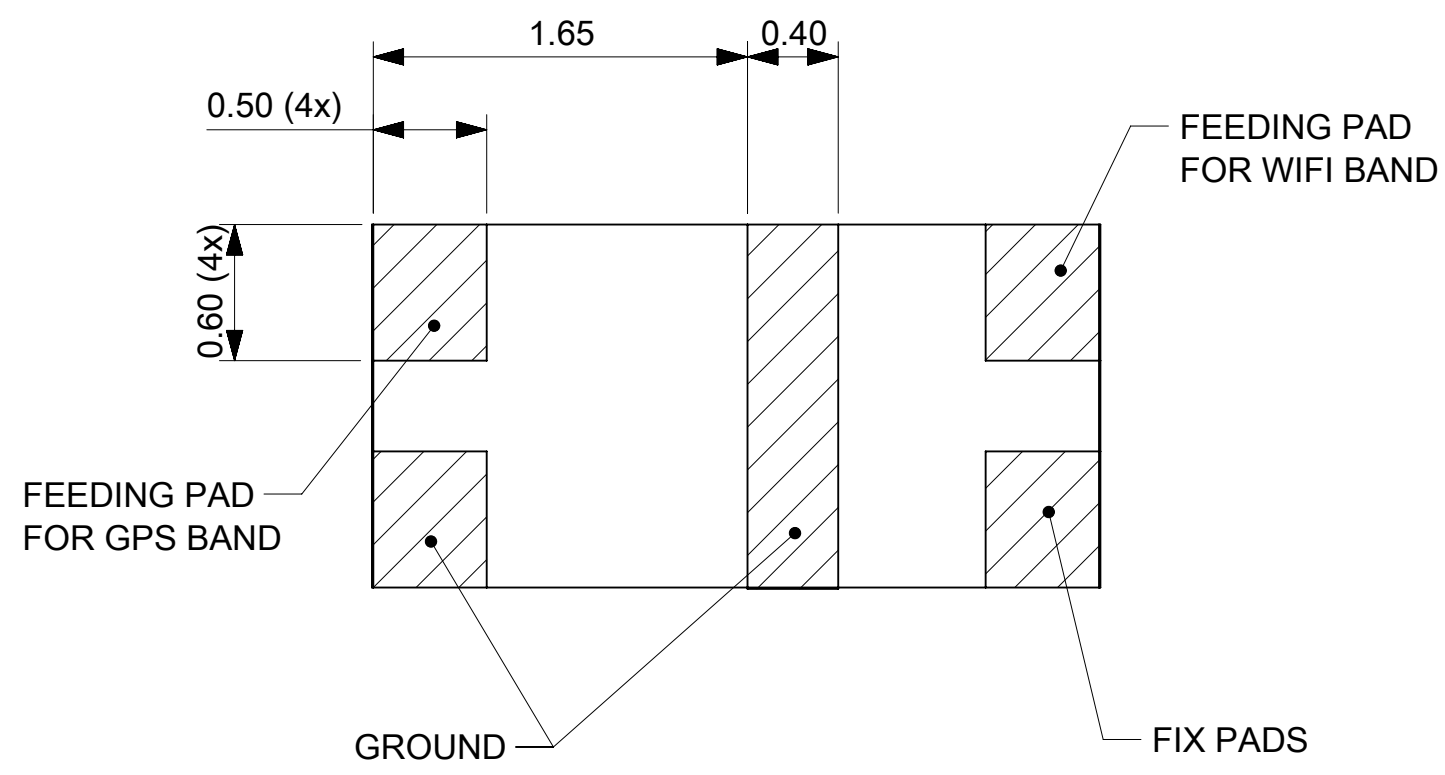
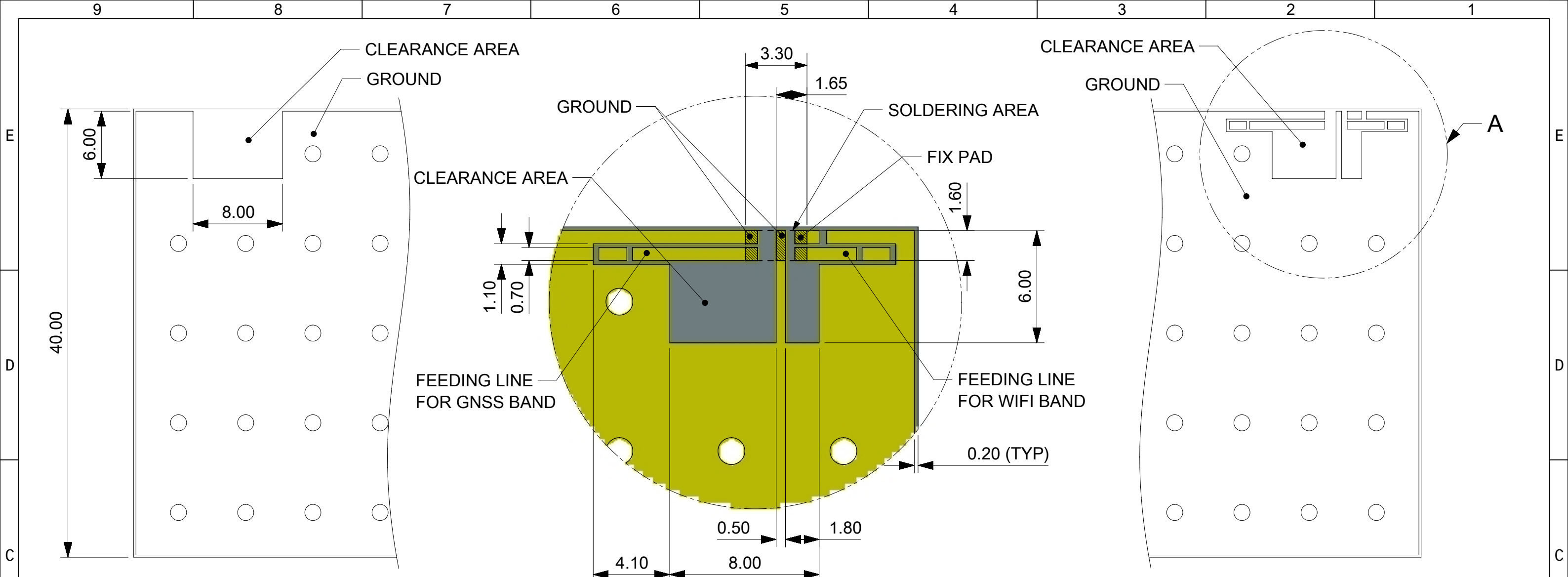


3D VIEW



NOTES:
 BODY MATERIAL: CERAMIC
 PATTERN: Ag PLATED THINCKNESS 4-11um
 APPLICATION SPEC. REFER TO AS OF 2030070001
 PRODUCT SPEC. REFER TO PS OF 2030070001
 PAKAGE SPEC. REFER TO PK OF 2030070001

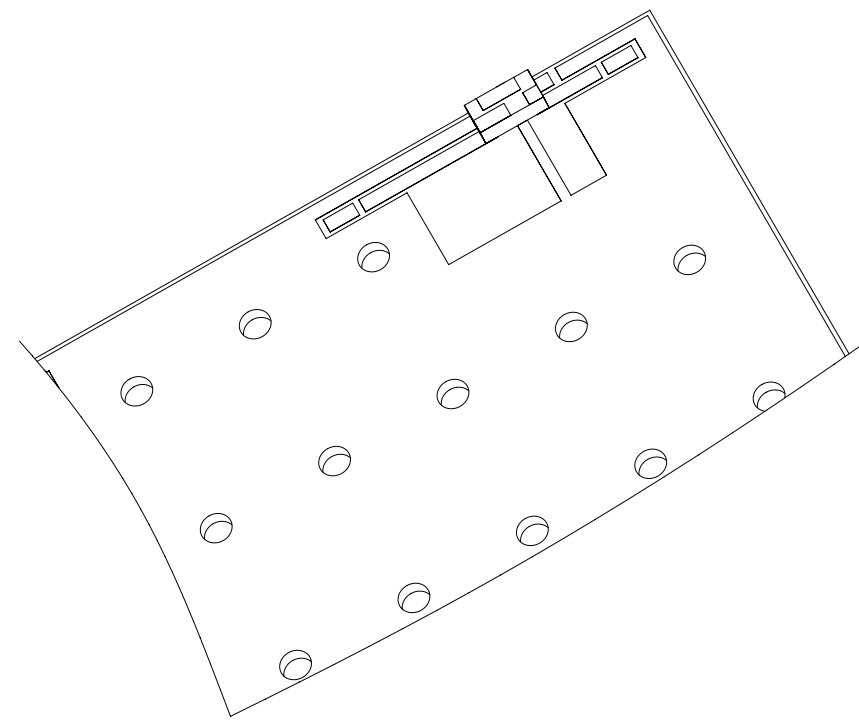
THIS DRAWING CONTAINS INFORMATION THAT IS PROPRIETARY TO MOLEX ELECTRONIC TECHNOLOGIES, LLC AND SHOULD NOT BE USED WITHOUT WRITTEN PERMISSION											
EC NO: 121094 DRWN: CXU11 CHK'D: CXU11 APPR: XJSONG	2017/09/08	GENERAL TOLERANCES (UNLESS SPECIFIED)		DIMENSION UNITS	SCALE						
	2017/09/08	ANGULAR TOL ± 1.0 °		MM	30:1						
	2017/09/12	4 PLACES	±	DRWN BY	DATE	SD FOR GNSS/WIFI COMBO CERAMIC ANTENNA					
		3 PLACES	± 0.05	CXU11	2017/08/28						
		2 PLACES	± 0.1	CHK'D BY	DATE						
	1 PLACE	± 0.3	ZLRAO	2017/09/06	PRODUCT CUSTOMER DRAWING						
	0 PLACES	± 0.5	APPR BY	DATE							
			XJSONG	2017/09/06	SERIES	MATERIAL NUMBER	CUSTOMER				
					203007	2030070001					
					DRAWING SIZE	THIRD ANGLE PROJECTION	DOCUMENT NUMBER		DOC TYPE	DOC PART	SHEET NUMBER
					A3		2030070001		PSD	SD	1 OF 2
					DRAFT WHERE APPLICABLE MUST REMAIN WITHIN DIMENSIONS						



BACK VIEW

DETAIL A
SCALE 5:1

FRONT VIEW



RECOMMENDED PCB LAYOUT
 SIZE 80X40X0.8mm
 GENERAL TOLERANCE OF PCB ±0.05mm

THIS DRAWING CONTAINS INFORMATION THAT IS PROPRIETARY TO MOLEX ELECTRONIC TECHNOLOGIES, LLC AND SHOULD NOT BE USED WITHOUT WRITTEN PERMISSION										
EC NO: 121094 DRWN: CXU11 CHK'D: CXU11 APPR: XJSONG	2017/09/08	GENERAL TOLERANCES (UNLESS SPECIFIED)		DIMENSION UNITS	SCALE					
	2017/09/08	ANGULAR TOL ± 1.0 °		MM	3:1					
	2017/09/12	4 PLACES	±	DRWN BY	DATE	SD FOR GNSS/WIFI COMBO CERAMIC ANTENNA				
		3 PLACES	± 0.05	CXU11	2017/08/28					
		2 PLACES	± 0.1	CHK'D BY	DATE					
	1 PLACE	± 0.3	ZLRAO	2017/09/06	PRODUCT CUSTOMER DRAWING					
	0 PLACES	± 0.5	APPR BY	DATE						
			XJSONG	2017/09/06	SERIES	MATERIAL NUMBER	CUSTOMER			
			DRAFT WHERE APPLICABLE MUST REMAIN WITHIN DIMENSIONS	DRAWING SIZE	THIRD ANGLE PROJECTION	203007	2030070001			
				A3		DOCUMENT NUMBER		DOC TYPE	DOC PART	SHEET NUMBER
						2030070001	PSD	SD	2 OF 2	