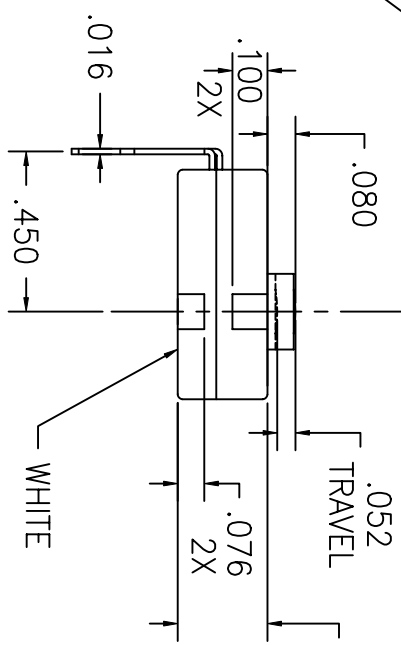
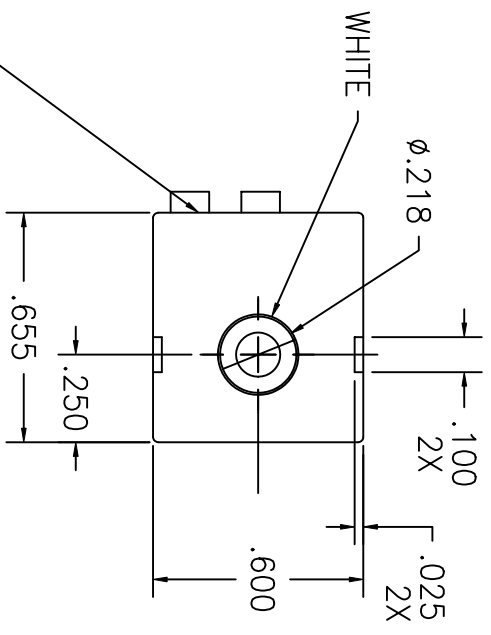
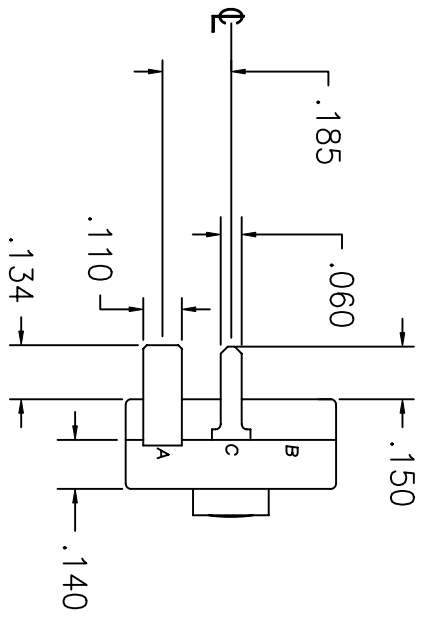



LTR	EN	DESCRIPTION	APPR	BY	DATE
A	-	INITIAL RELEASE	MT	DC	12-27-07



JUDCO INVENTORY NO. 40-4681-00
 SWITCH TYPE: MOMENTARY, NORMALLY OPEN

CUSTOMER: DIGI-KEY
 CUSTOMER PN: TBD
 APPROVED BY: _____
 DATE: _____

DIMENSIONS IN INCHES
 DIMENSIONS ARE REFERENCE

DRAWN: DC	12-27-07	 HARBOR CITY CALIFORNIA TITLE: J-987-2 W/BENT TERMINALS DWG. NO. 1415-1277
APPR: KJ	12-27-07	
ENG: IS	12-27-07	
1415U1277A.DWG		SHEET 1 OF 1

This document embodies a product, component, and/or design proprietary to JUDCO MANUFACTURING INC., and which is protected either as a trade secret, by U.S. Patent, or by copyright. It may not be used in any way without written express consent of JUDCO MANUFACTURING INC.