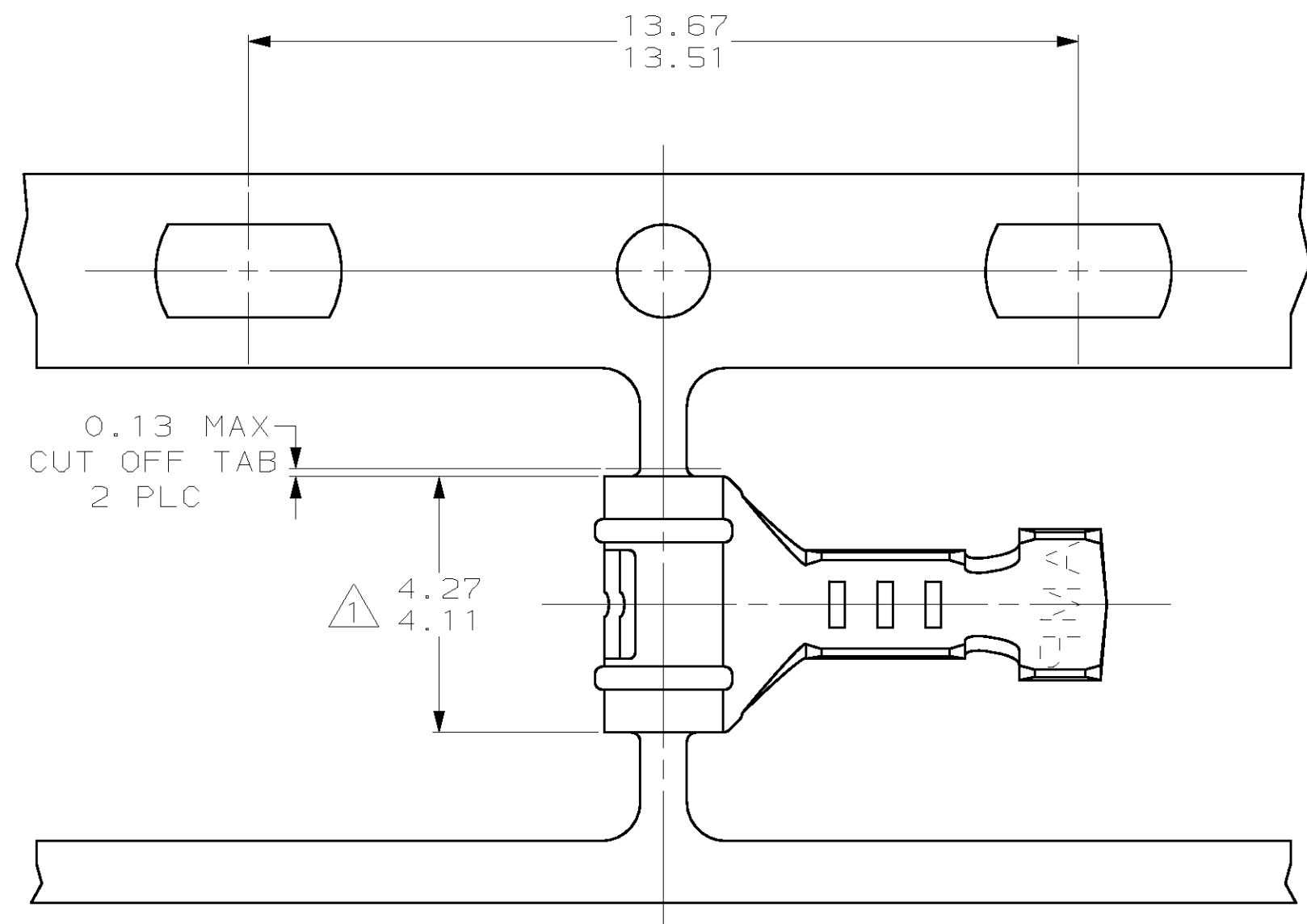
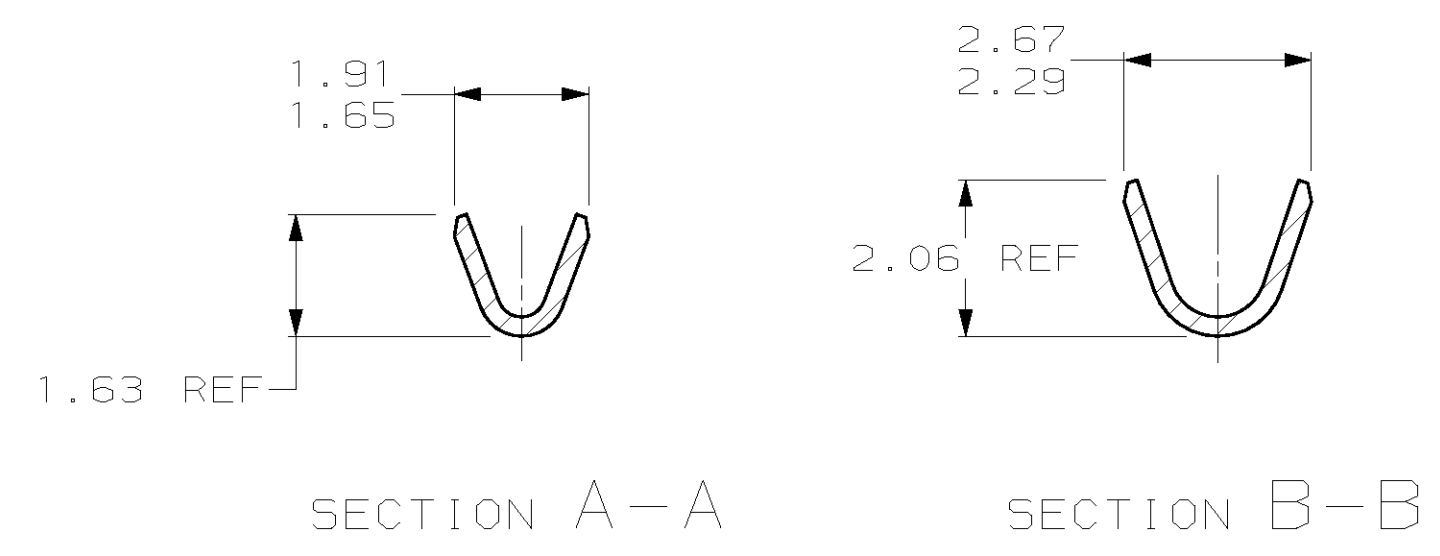
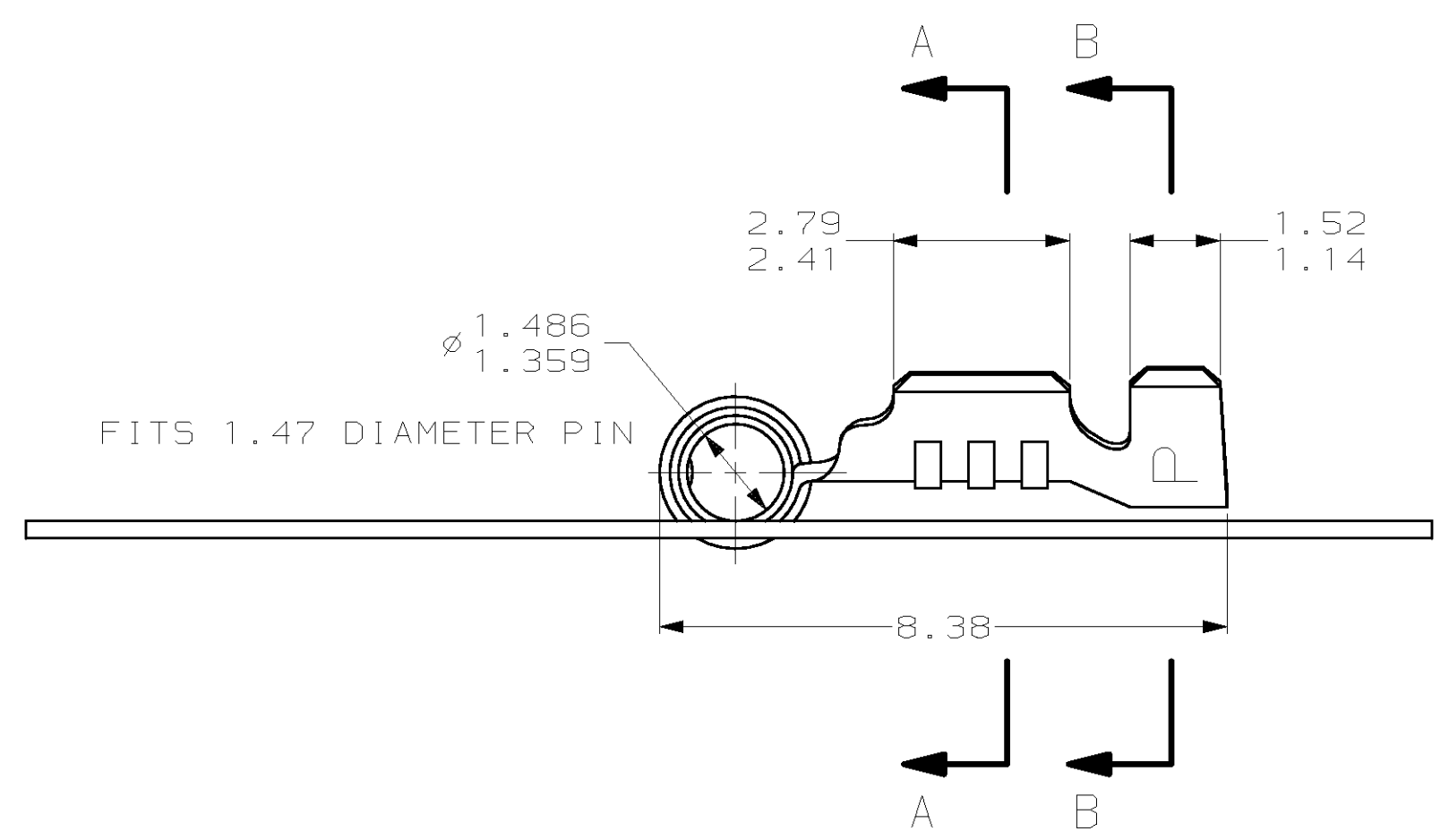


THIS DRAWING IS UNPUBLISHED. RELEASED FOR PUBLICATION
 (C) COPYRIGHT 19 BY AMP INCORPORATED. ALL RIGHTS RESERVED.

| LOC | DIST | REVISIONS | | | |
|-----|------|-------------|---------------------------------|--------|-------|
| P | LTR | DESCRIPTION | DATE | DWN | APVD |
| CM | 52 | E | REV & REDWN PER EC 0L30-0125-97 | 6-3-97 | TB RS |



- 1. 0.00038 MIN SELECTIVE GOLD PLATING ON INSIDE OF RECEPTACLE OVER NICKEL OVER ALL UNDERPLATE.
- 2. WIRE RANGE: 0.12 - 0.4 MM² (26 - 22 AWG)
- 3. INSULATION RANGE: 0.89 - 1.65



| | | |
|---------|----------------|-------------|
| PRE-TIN | 0.25 PH BRZ | 61513-2 |
| △ | 0.25 BE COPPER | 61513-1 |
| FINISH | MATERIAL | PART NUMBER |

| | | | | | | | |
|---------|---------|-------|-------|------|------|-------|------|
| 1.359 | .0535 | 1.91 | .075 | 4.11 | .162 | - | - |
| 1.14 | .045 | 1.65 | .065 | 2.79 | .110 | - | - |
| 0.89 | .035 | 1.63 | .064 | 2.67 | .105 | 13.67 | .538 |
| 0.25 | .010 | 1.52 | .060 | 2.41 | .095 | 13.51 | .532 |
| 0.13 | .005 | 1.486 | .0585 | 2.29 | .090 | 8.38 | .330 |
| 0.00038 | .000015 | 1.47 | .058 | 2.06 | .081 | 4.27 | .168 |
| MM | IN | MM | IN | MM | IN | MM | IN |

CONVERSION TABLE



THIS DRAWING IS A CONTROLLED DOCUMENT.

| | | | |
|--------------------|--|---------------------------|--|
| DIMENSIONS: mm | TOLERANCES UNLESS OTHERWISE SPECIFIED: | DWN T. BECK 6-03-97 | AMP Incorporated Harrisburg, PA 17105-3608 |
| | 0 PLC ±- | CHK R. SWING 6-03-97 | |
| | 1 PLC ±- | APVD A. BEDDICK 6-17-97 | |
| | 2 PLC ±0.13 | PRODUCT SPEC 108-1025 | |
| MATERIAL SEE TABLE | FINISH SEE TABLE | APPLICATION SPEC 114-1008 | NAME RECEPTACLE, .058 DIAMETER, 26-22 AWG, .035-.065 INSULATION, RIGHT ANGLE, P.C. CONTACT |
| | | WEIGHT - | SIZE A2 CAGE CODE 00779 DRAWING NO. 61513 RESTRICTED TO |
| | | CUSTOMER DRAWING | SCALE 10:1 SHEET 1 OF 1 REV F |